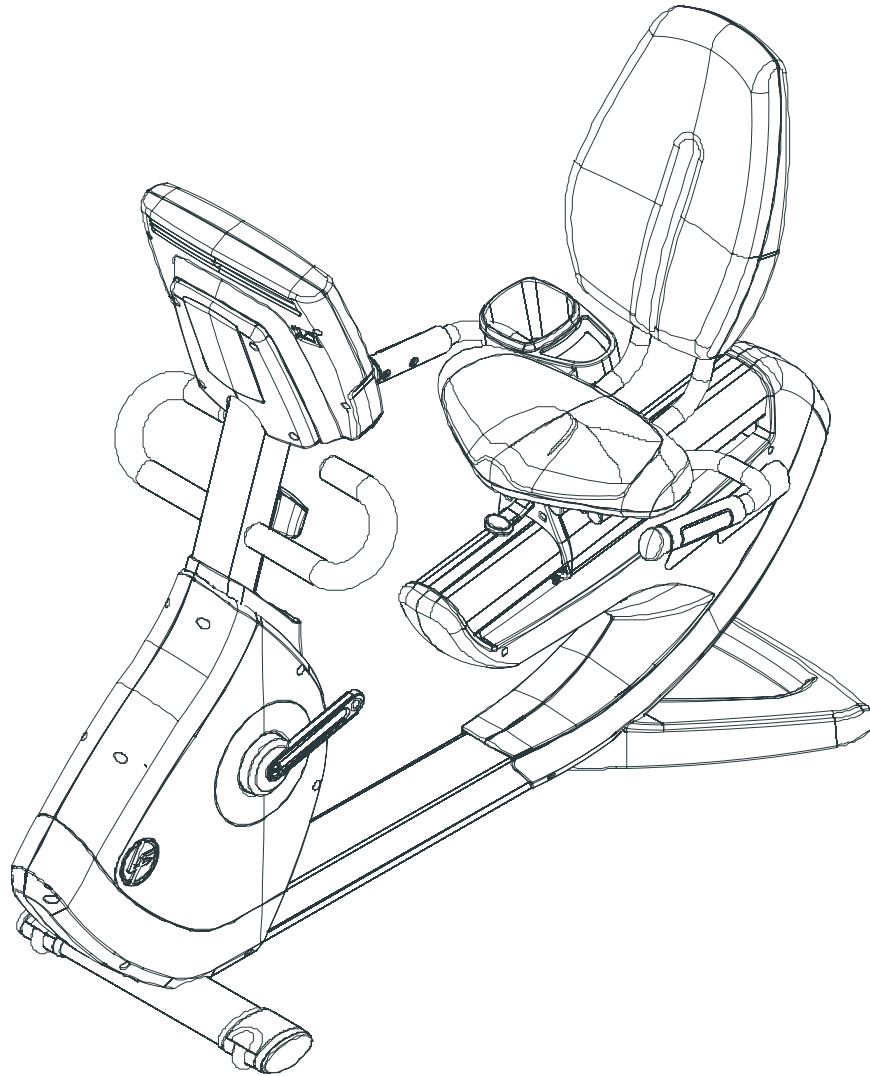


# LifeFitness

Elevation Recumbent Bikes  
(95R-ALLXX-02)



Customer Support Services  
**PARTS MANUAL** rev 23 Sep 2009

## Elevation Recumbent Bikes Contents

---

Miscellaneous .....	3
Consoles .....	4
Monocolumn and Console Support Bracket.....	5
Shrouds.....	6
Front Stabilizer Components .....	7
Seat Handle Components .....	8
Optional Recumbent Arm Rests .....	9
Pedals and Cranks .....	11
Seat Pad, Back Pad, and Leg Levelers .....	12
Extrusion Assembly.....	13
Carriage Assembly.....	14
Battery and Power Bracket Assembly .....	15
Idler Assembly .....	16
Generator and GBC Assembly .....	17
Pulley, Bearing Housing, and Belt .....	18
Cables .....	19

## Elevation Recumbent Bikes

## Miscellaneous

Description	Part No.
OPERATION MANUAL - (ENG)	OKCD-02001-0000
+36V POWER SUPPLY (standard for units equipped with 15" LCD consoles, optional for 7" LCD consoles)	0017-00003-1037
LINE CORD DOM 10A, 125V	0017-00003-0704
LINE CORD CONT 10A, 250V	0017-00003-0691
LINE CORD U.K. 10A	0017-00003-0889
LINE CORD AUSTRALIA	0017-00003-0918
LINE CORD CHINA 10A, 250V	0017-00003-1012
ARCTIC SILVER TOUCH UP PAINT: SPRAY CAN	0017-00008-0204
.5 OZ BOTTLE W/APPLICATOR	0017-00008-0205
.33 OZ PEN	0017-00008-0206
BRKT ASSY: POWER/COAX INPUT ASSEMBLY CONSISTS OF:	AK66-00036-0000
1) POWER COAX BRACKET	OK66-01063-0000
2) F-TYPE PANEL CONNECTOR	0017-00021-2846
3) RECEPTACLE PHONE JACK PANEL	0017-00021-2847
HARDWARE BAG	AK66-00079-0000

Model 95R-ALLXX-01 recumbent bike is available with either of these kits:

RECBNT-HANDLEBAR

RECBNT-ARMREST

Elevation Recumbent Bikes  
Console Assemblies

95R-ALLXX-02  
S/N ARL104498 and up  
95R-IFIXX-02  
S/N PIR100031 and up



7-inch Inspire LCD console



15-inch Engage LCD console



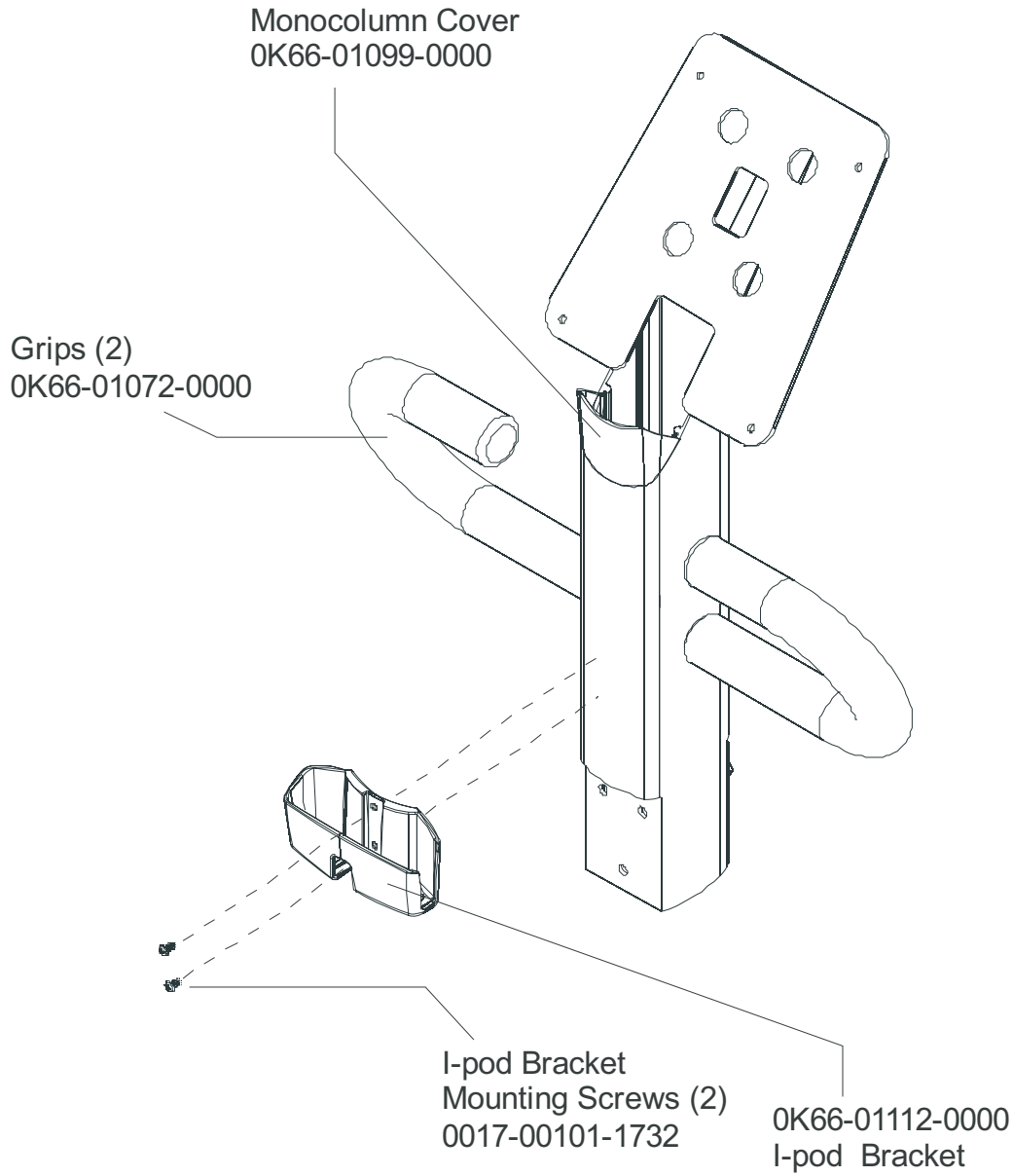
Achieve LED console

Console Assemblies	
Description	Part No.
7-INCH LCD BIKE/CT CONSOLE	07DN-ALLXX-01
7-INCH LCD BIKE/CT CONSOLE (REFURBISHED)	07DN-ALLXX-01R
15-INCH LCD BIKE/CT CONSOLE - NTSC	15DN-ALLXN-01
15-INCH LCD BIKE/CT CONSOLE - NTSC (REFURBISHED)	15DN-ALLXN-01R
15-INCH LCD BIKE/CT CONSOLE - PAL	15DN-ALLXP-01
15-INCH LCD BIKE/CT CONSOLE - PAL (REFURBISHED)	15DN-ALLXP-01R
LED BIKE/CT CONSOLE - DOMESTIC	LEDN-DOMXX-01
LED BIKE/CT CONSOLE - INTERNATIONAL	LEDN-INTXX-01
LED BIKE/CT CONSOLE - INTERNATIONAL IFI	LEDN-IFIXX-01

Elevation Recumbent Bikes  
Monocolumn Assembly

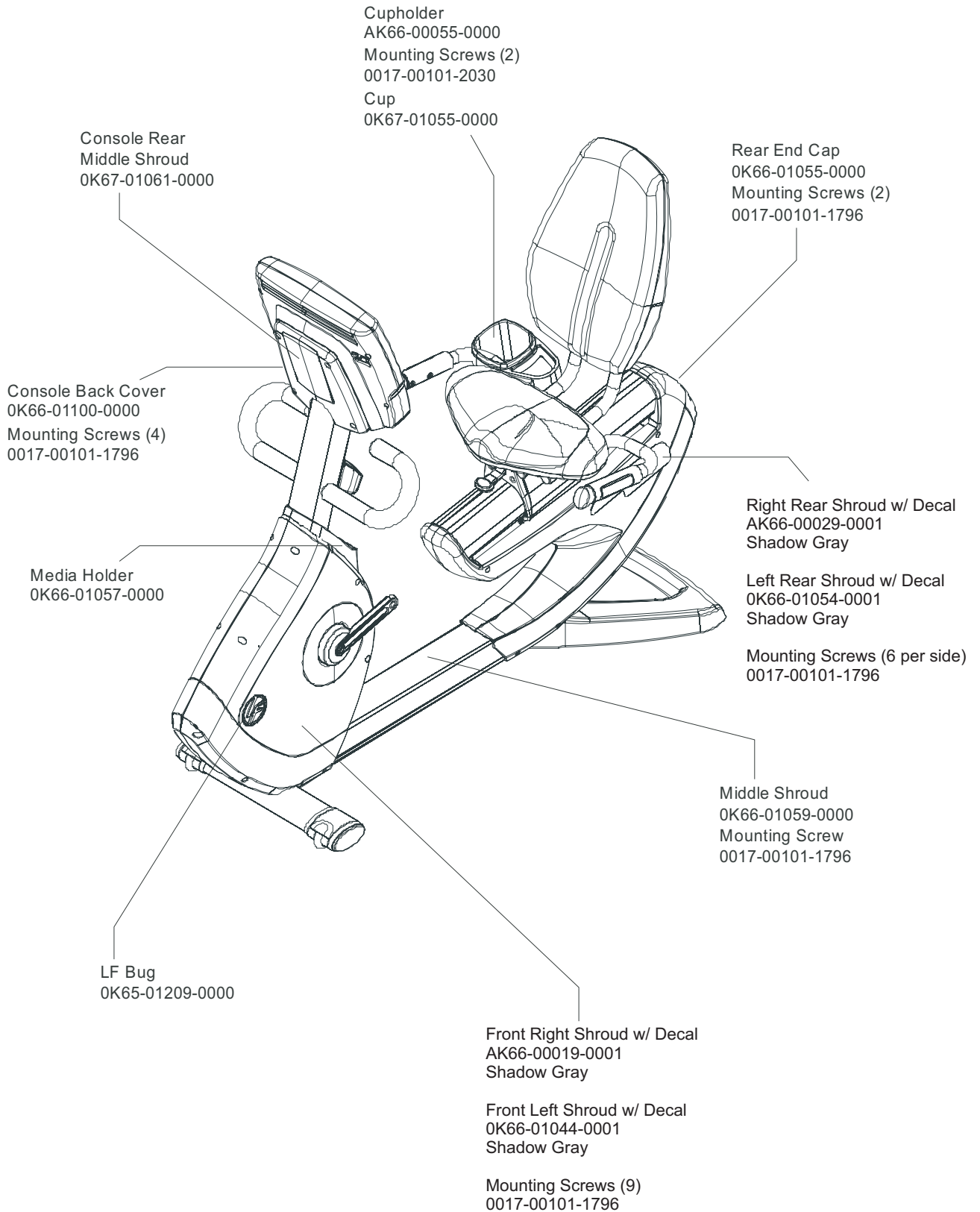
95R-ALLXX-02  
S/N ARL104498 and up  
95R-IFIXX-02  
S/N PIR100031 and up

Monocolumn Assembly  
AK66-00038-0000  
(includes all components shown)



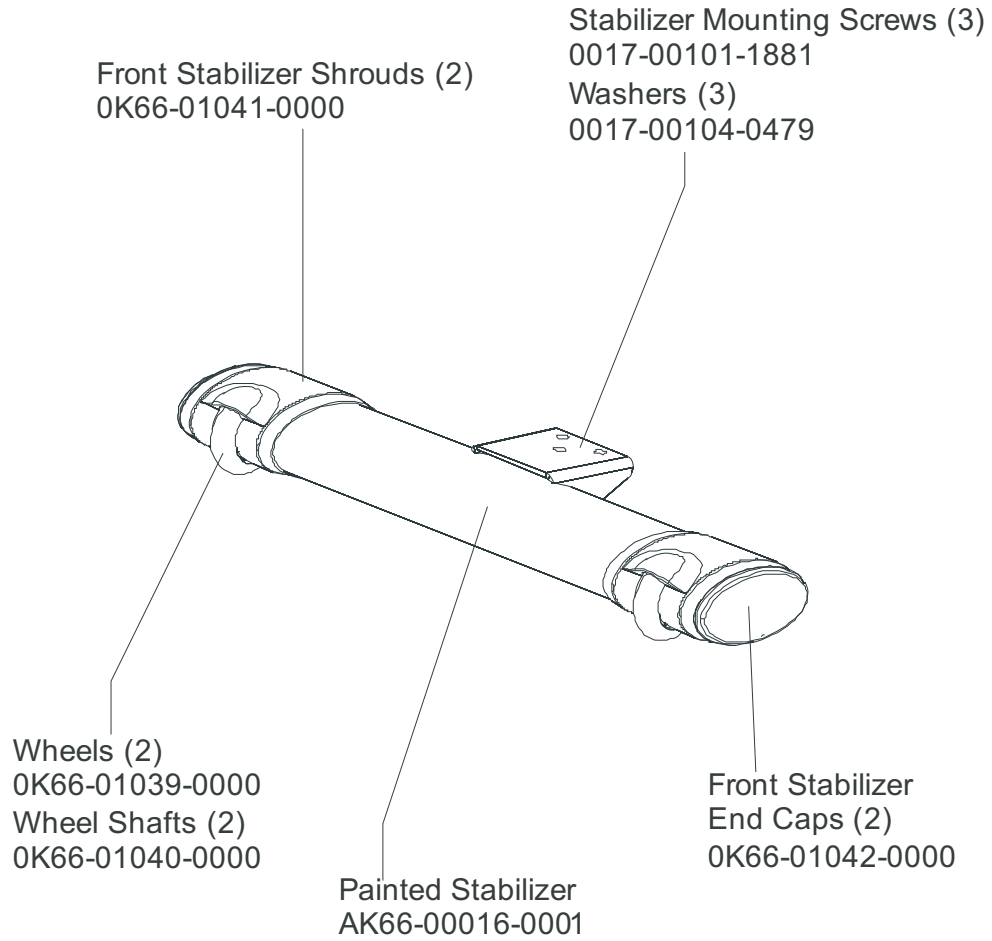
Elevation Recumbent Bikes  
Shrouds

95R-ALLXX-02  
S/N ARL104498 and up  
95R-IFIXX-02  
S/N PIR100031 and up

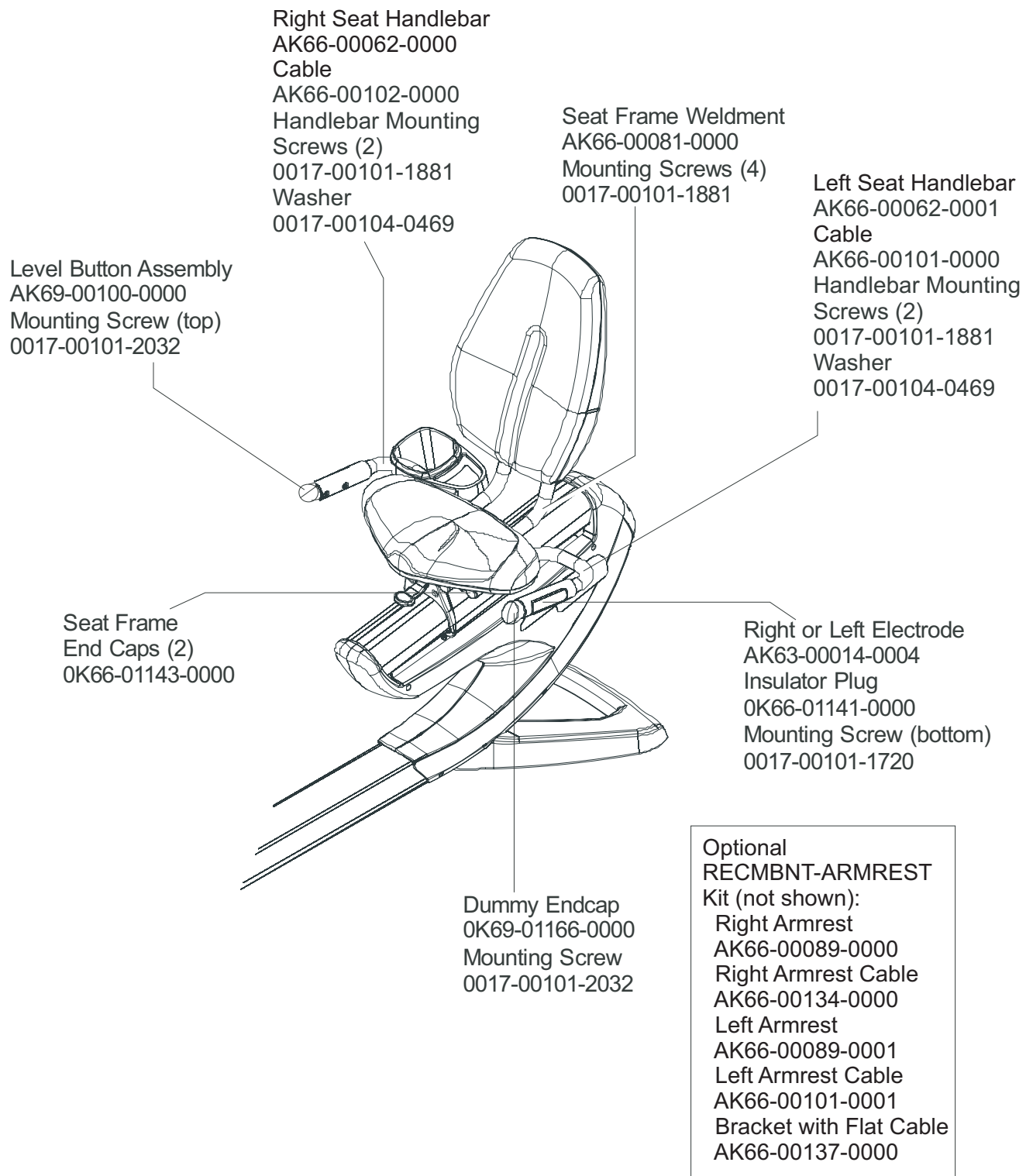


Elevation Recumbent Bikes  
Front Stabilizer Components

95R-ALLXX-02  
S/N ARL104498 and up  
95R-IFIXX-02  
S/N PIR100031 and up



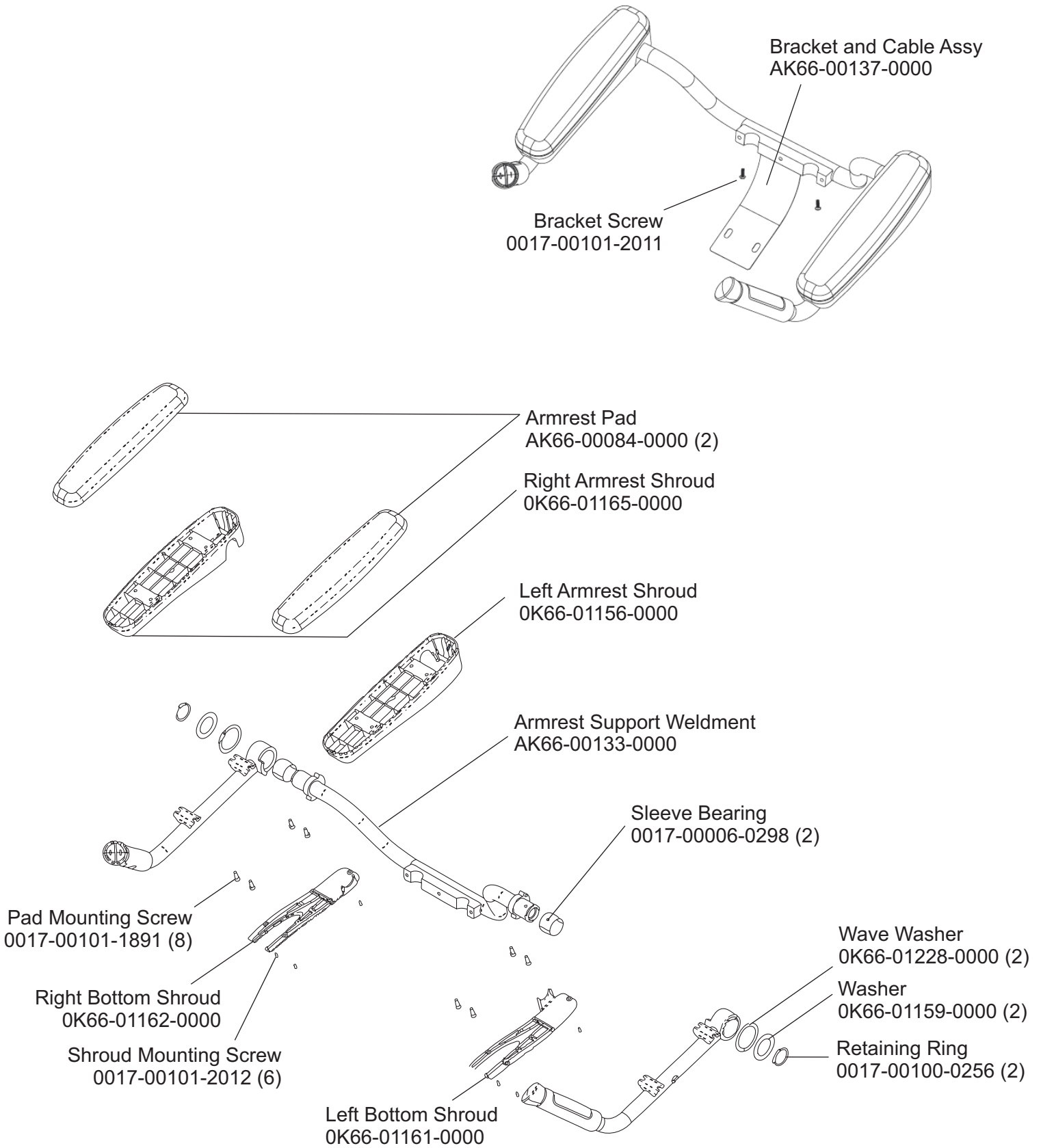
Elevation Recumbent Bikes  
 Seat Handle Components



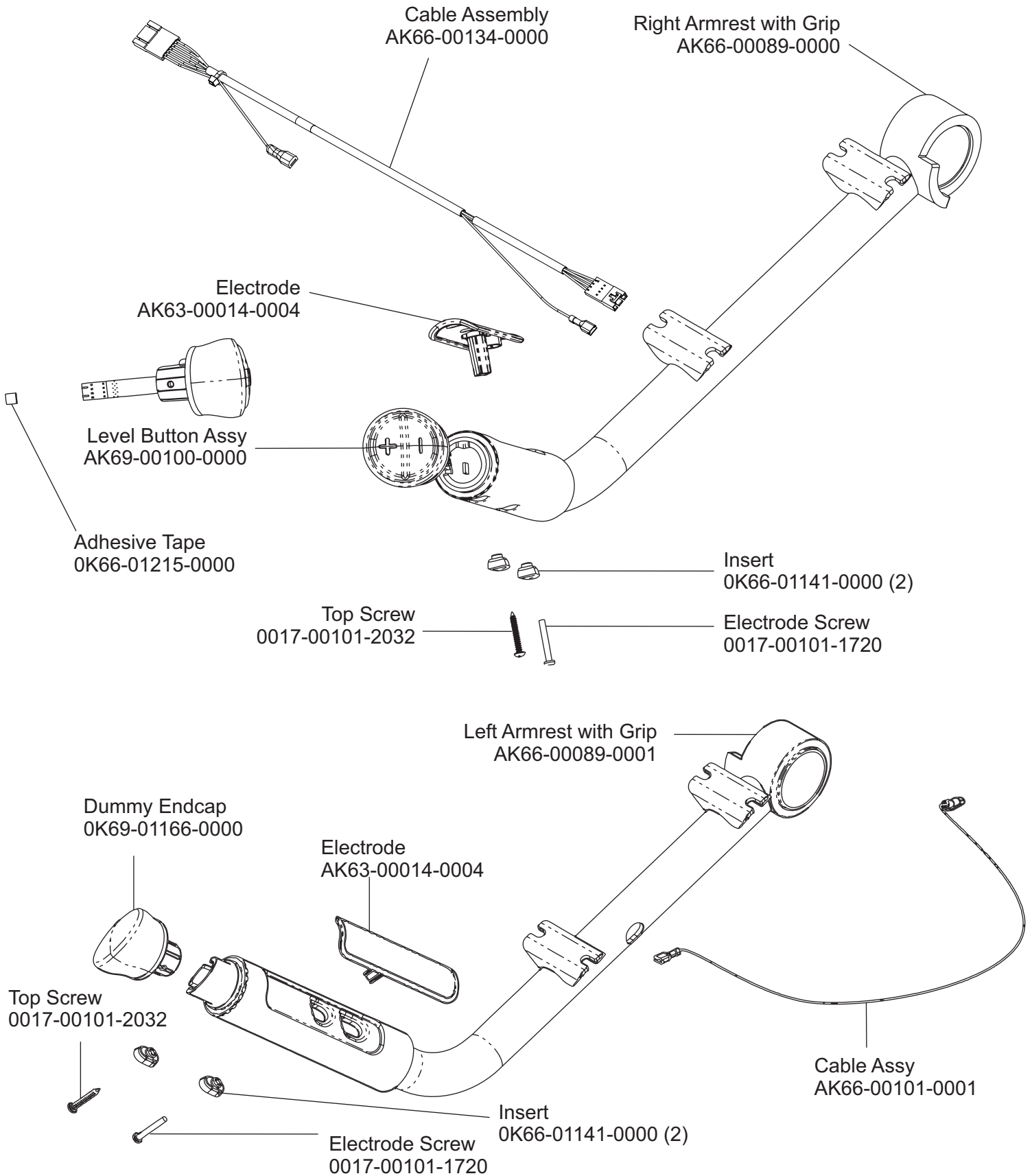


Elevation Recumbent Bikes  
Optional Recumbent Arm Rests

95R-ALLXX-02  
S/N ARL104498 and up  
95R-IFIXX-02  
S/N PIR100031 and up



Elevation Recumbent Bikes  
Optional Recumbent Arm Rests

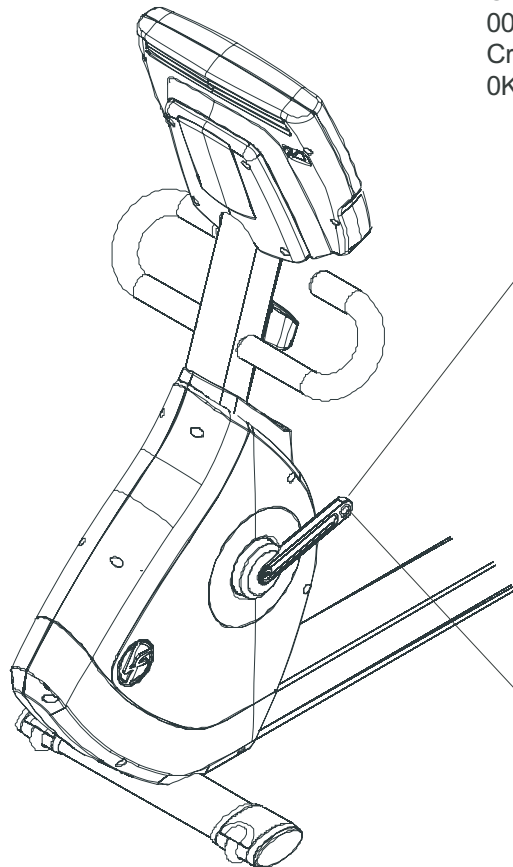


Elevation Recumbent Bikes

Pedals and Cranks

---

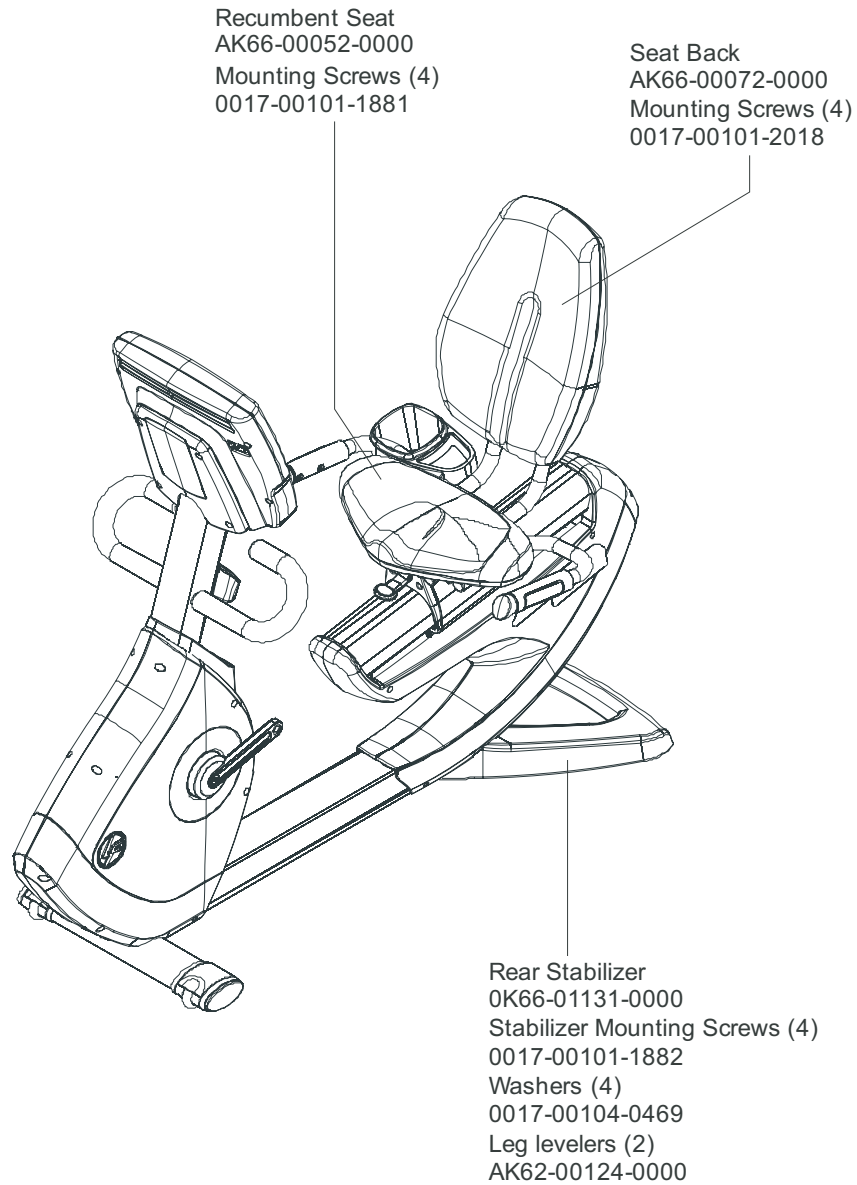
- Right Crank Arm  
0K66-01006-0003
- Left Crank Arm  
0K66-01006-0004
- Crank Connector Plate  
0K66-01096-0000
- Crank Screw  
0017-00101-2033
- Crank Cap  
0K66-01121-0000



- Right Pedal w/Strap  
AK66-00047-0001  
AK66-00092-000 (IFI)
- Left Pedal w/Strap  
AK66-00048-0001  
AK66-00093-0000 (IFI)

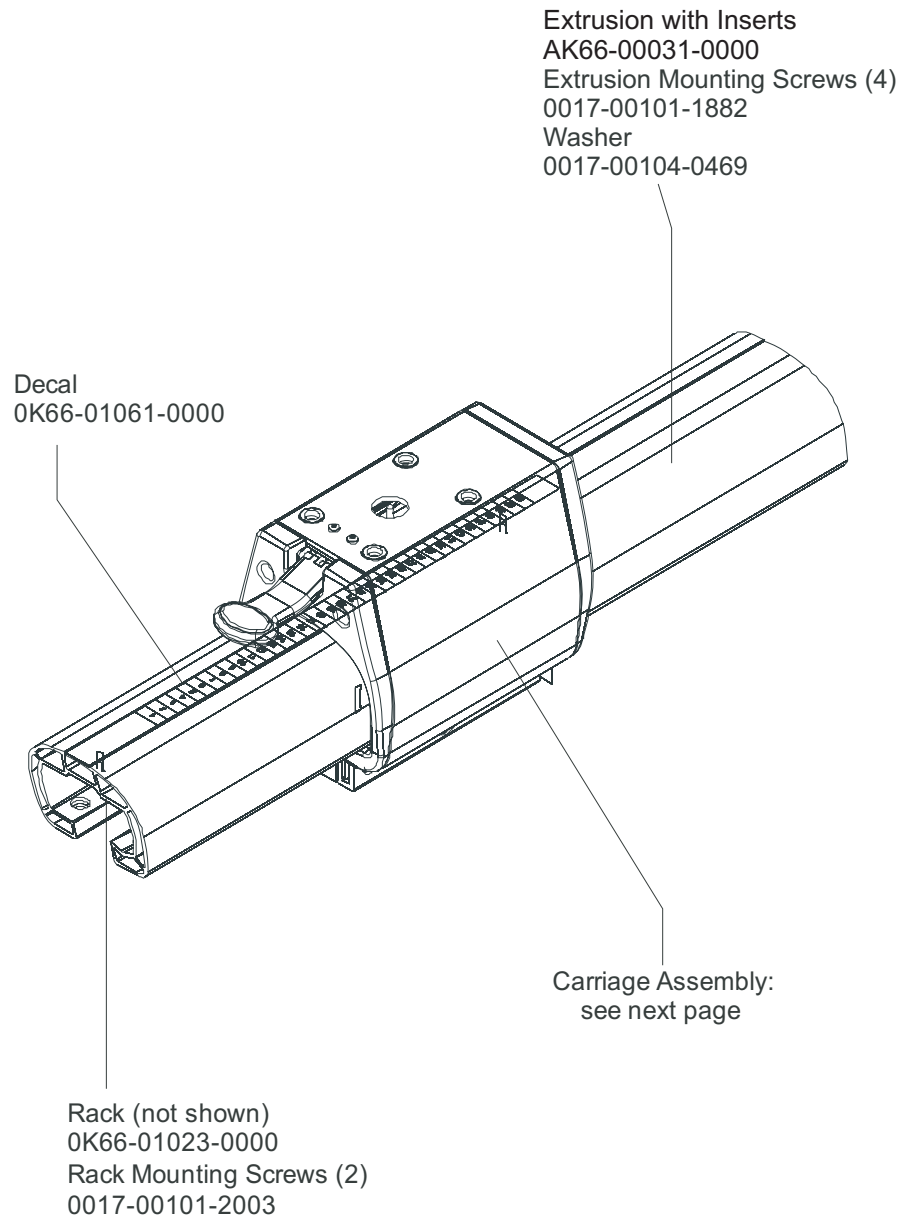
Elevation Recumbent Bikes  
Seat Pad, Back Pad and Leg Levelers

---

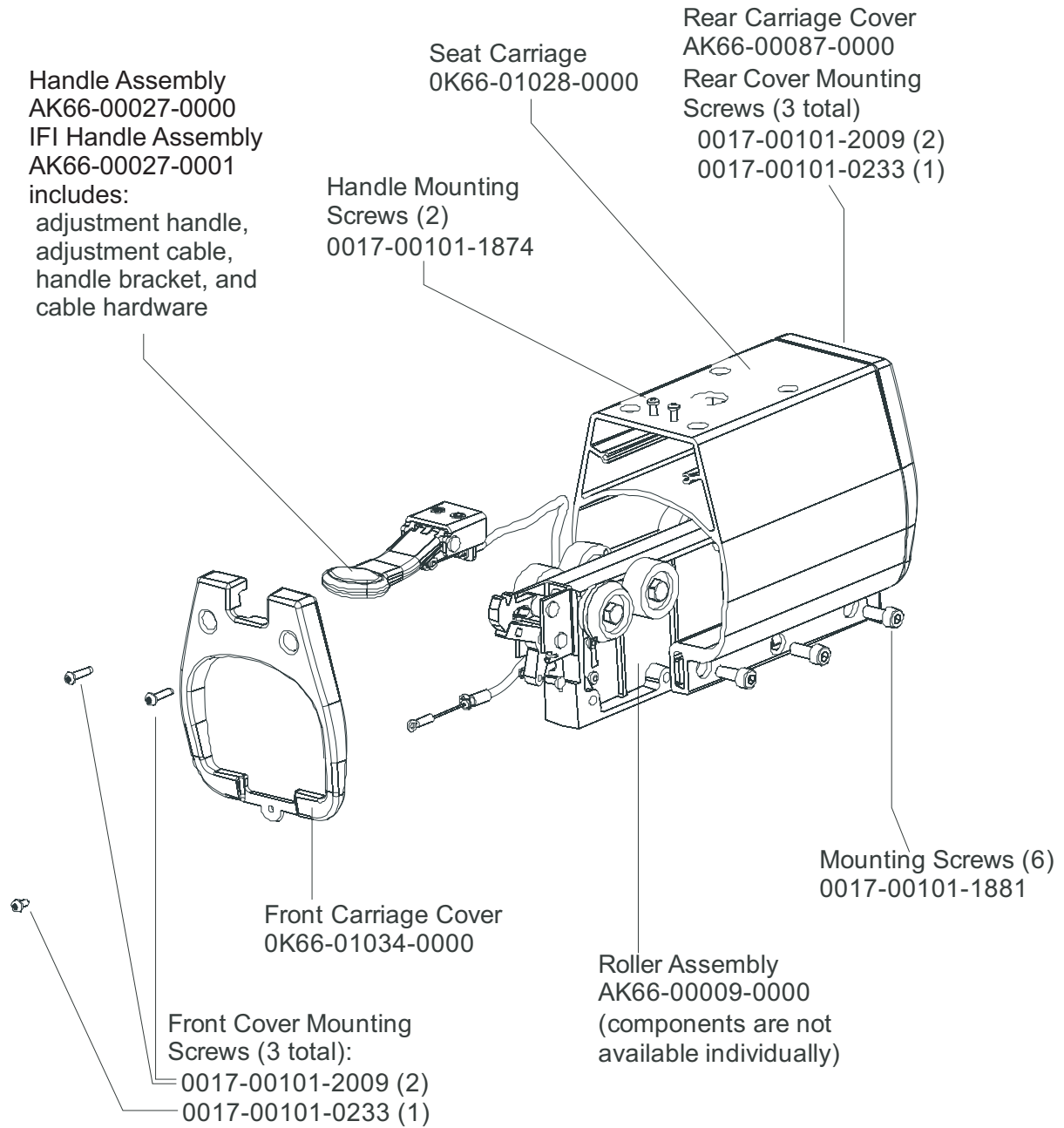


Elevation Recumbent Bikes  
Extrusion Assembly

95R-ALLXX-02  
S/N ARL104498 and up  
95R-IFIXX-02  
S/N PIR100031 and up



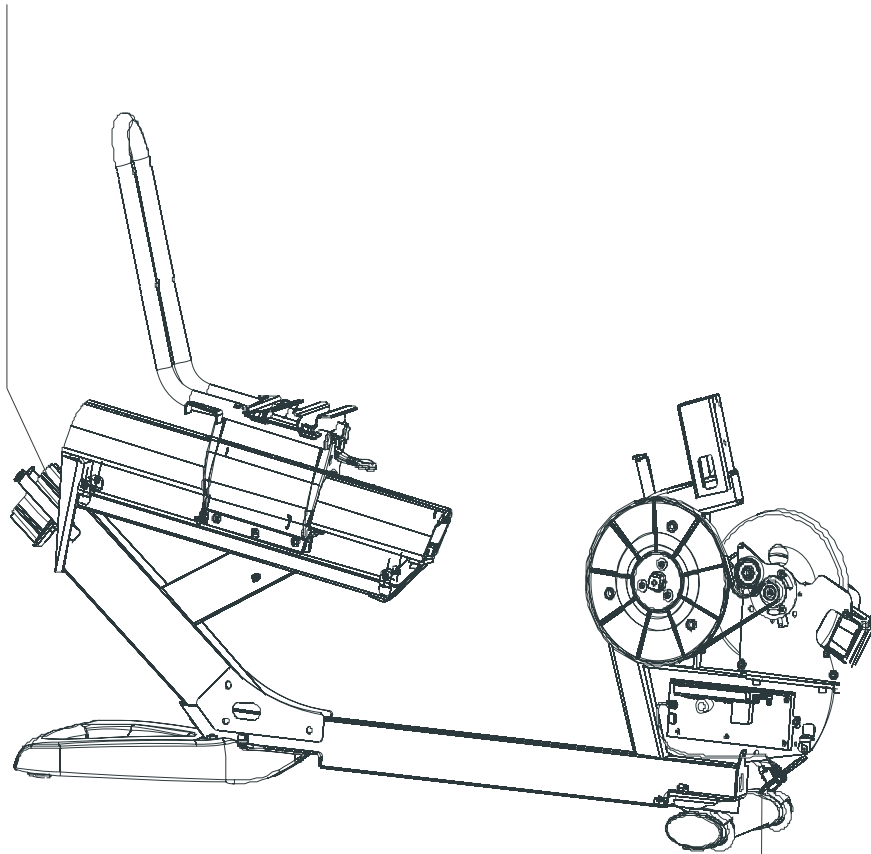
Elevation Recumbent Bikes  
Carriage Assembly



Elevation Recumbent Bikes  
Battery and Power Bracket Assembly

95R-ALLXX-02  
S/N ARL104498 and up  
95R-IFIXX-02  
S/N PIR100031 and up

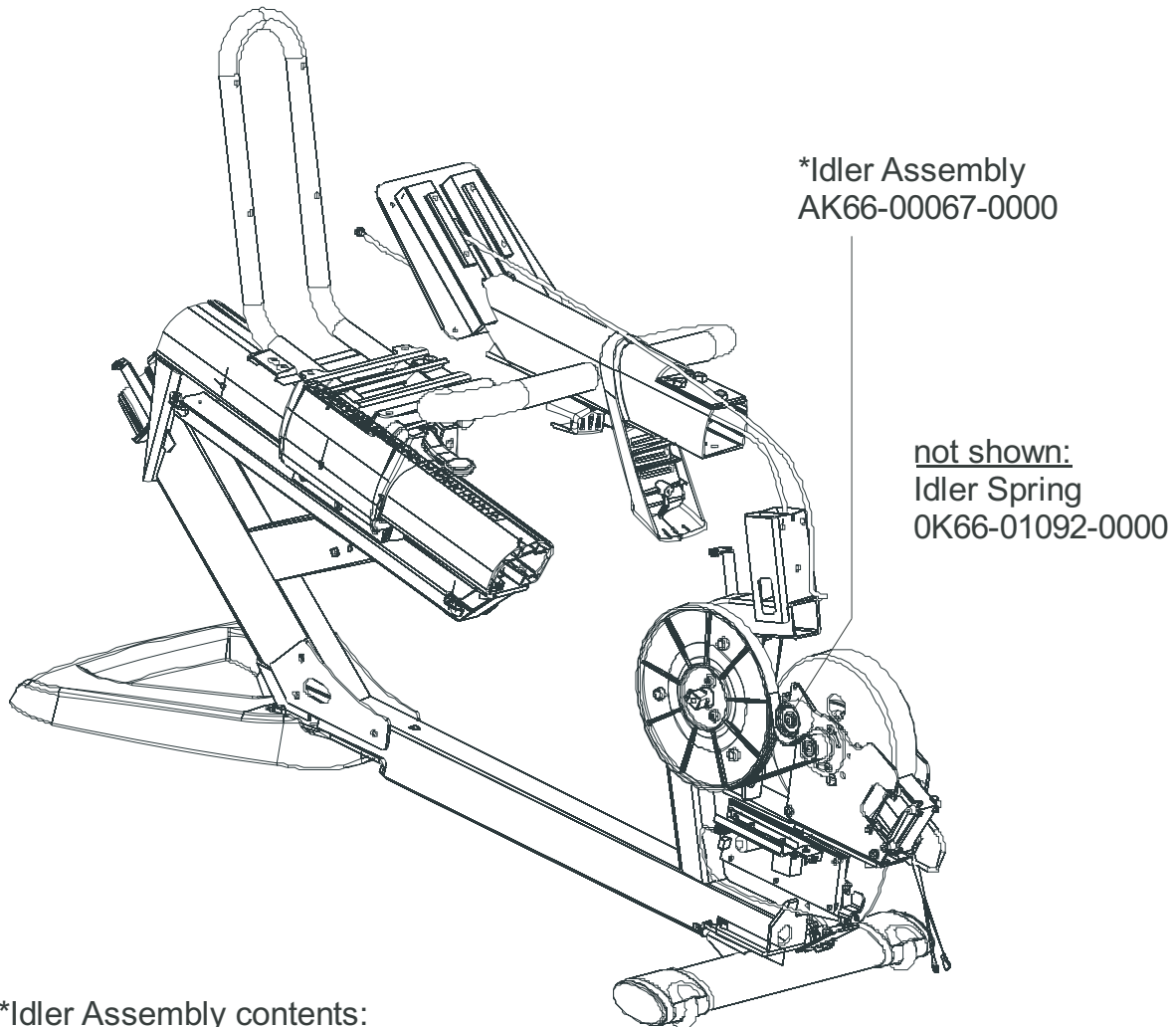
6V Battery  
0017-00003-0685  
Battery Mounting Screws (2)  
0017-00101-1796



Power/Coax Bracket  
AK66-00036-0000

Elevation Recumbent Bikes  
Idler Assembly

95R-ALLXX-02  
S/N ARL104498 and up  
95R-IFIXX-02  
S/N PIR100031 and up



\*Idler Assembly contents:

- Idler Bracket (1)  
AK66-00122-0000
- Idler Bearing (1)  
AK66-00066-0000
- Nut (1)  
0017-00103-0338

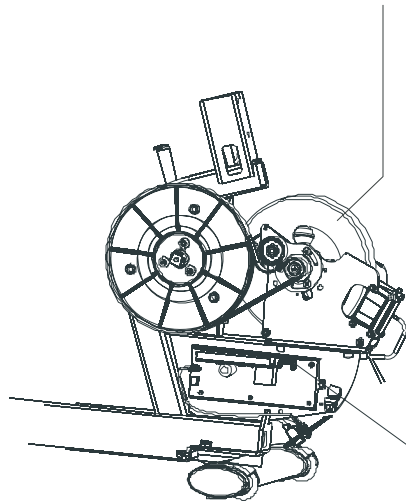


Elevation Recumbent Bikes  
Generator and GBC Assembly

---

95R-ALLXX-02  
S/N ARL104498 and up  
95R-IFIXX-02  
S/N PIR100031 and up

Generator/Brake  
Pulley Assembly  
AK66-00123-0000  
Mounting Screws (4)  
0017-00101-1920  
Washers (4)  
0017-00104-0479



Power PCB and Bracket  
Assembly with Software  
AK66-00100-0002  
Mounting Screw  
0017-00101-1986

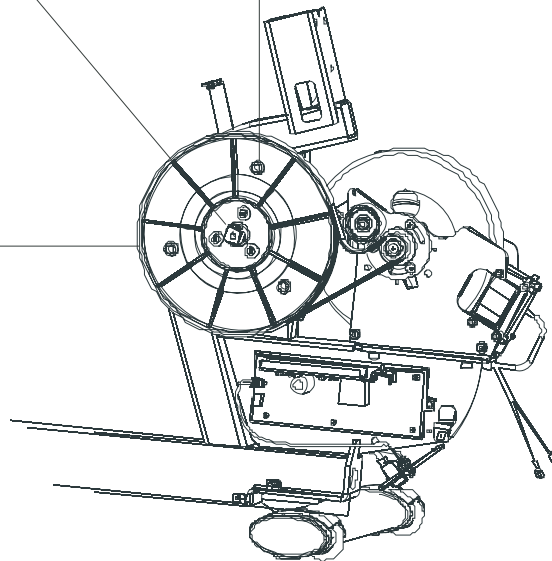
Elevation Recumbent Bikes  
Pulley and Belt

---

Crank-Hub/Bearing/Shaft Assembly  
AK66-00003-0001  
Crank Hub Mounting Screw  
0017-00101-1881  
Washers (3)  
0017-00104-0469

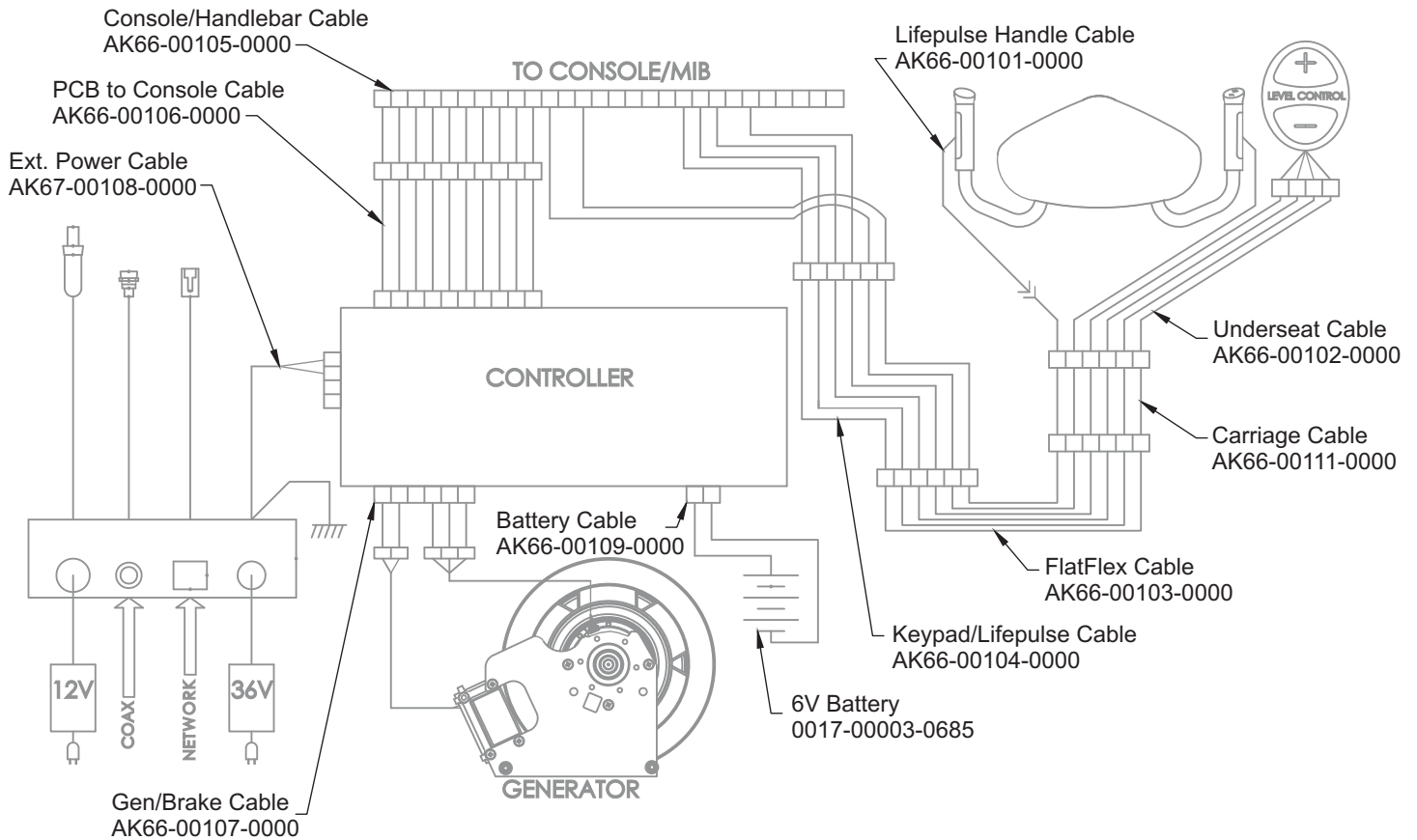
Crank Pulley  
0K66-01005-0000  
Pulley Mounting Screws (3)  
0017-00101-1891  
Washers (3)  
0017-00104-0468

Poly-V Belt  
0017-00009-0837



## Elevation Recumbent Bikes

## Cables



Cables	
Description	Part No.
ETHERNET CABLE ASSEMBLY (A8 - Phone jack connector)	AK32-00019-0001
COAX CABLE, 90" (A9)	AK32-00020-0001
POWER EXTENSION CABLE, 120" (A10 - External Power to TV)	AK32-00078-0001
SEAT ADJUSTMENT FLEX CABLE	AK66-00103-0001
LP/LC CABLE ASSEMBLY	AK66-00104-0000
CONSOLE/HANDLE BAR CABLE ASSEMBLY	AK66-00105-0000
BATTERY CABLE ASSEMBLY (A6 - Battery to GBC)	AK66-00109-0000
RECUMBENT CARRIAGE CABLE ASSEMBLY	AK66-00111-0000
CONSOLE UPRIGHT CABLE ASSEMBLY (CONSOLE TO GBC)	AK67-00106-0000
GENERATOR/BRAKE CABLE ASSEMBLY (A5 - Generator to GBC)	AK66-00107-0000
External power cable Assembly (A3 - External Power to console)	AK67-00108-0000